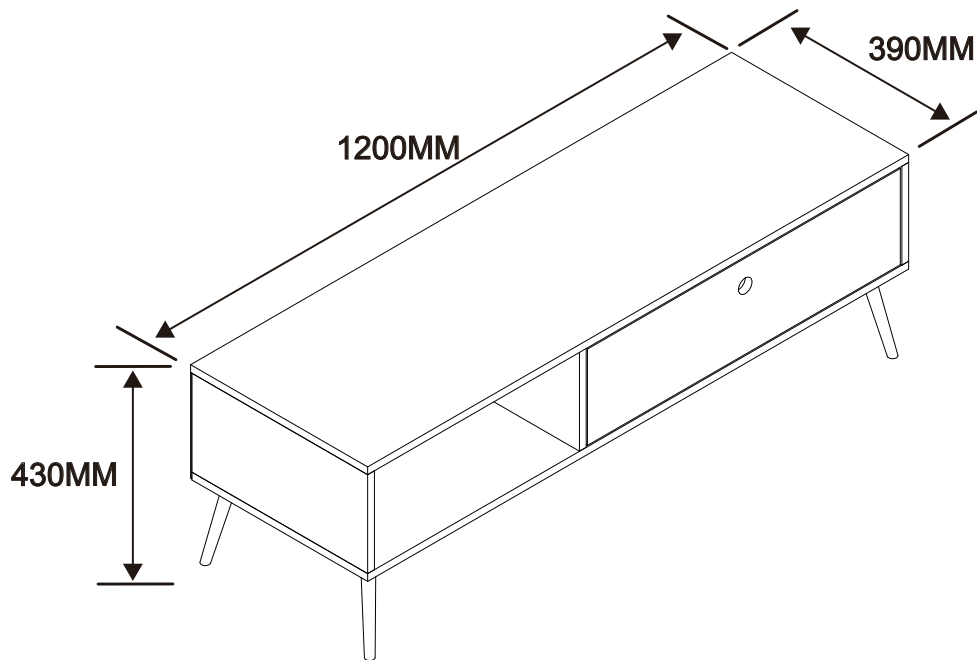


ASSEMBLY INSTRUCTION

AGEN ENTERTAINMENT UNIT

ITEM CODE 69662

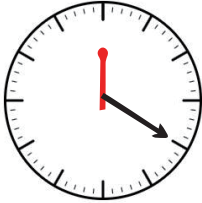

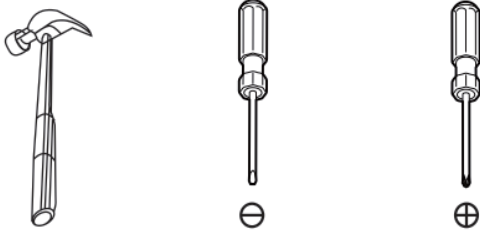


Imported by JWA Furniture Pty Ltd, Qld, Brisbane Australia.
For any assistance with assembly or for missing parts please refer to your receipt

PRE-ASSEMBLY PREPARATION

Before you start:

1. Choose a clean, level, spacious assembly area. Avoid hard surfaces that may damage the product
2. Take care when lifting. Product should be assembled as near as possible to the point of use
3. Ensure that you have all required contents for complete assembly
4. Always read the assembly instructions carefully before beginning assembly.
5. Keep all hardware parts and packaging out of reach of small children.
6. Do not over tighten the screws and bolts as this may damage the threads
7. Assembly is to be carried out by a competent adult(s) ONLY
8. During assembly, children should be kept away from the product due to possible risk to injury.
9. Do not use this item if any components are missing or damaged.
10. Please keep the instructions for future reference.

		
<p>Allow 20 min</p>	<p>For 2 person</p>	<p>Additional tools required</p>

! **TIPPING WARNING** !



Serious or fatal injuries may occur from furniture toppling over. To help avoid this please follow the below recommendations:

- Install the provided "Tipping Kit" as per the instructions
- Never allow children to climb on or hang off of any part of this product
- Unless specifically designed to accommodate, do not set TVs or other heavy objects on top of this product



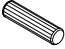


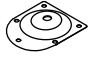

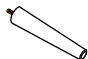

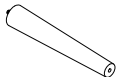

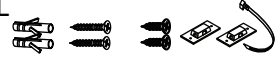




If this product has drawers:

- Place the heaviest items in lowest drawers
- Do not open more than 1 drawer at a time as this may cause the product to become unbalanced
- Do not tamper with or remove any drawer interlocking/running system

Note: The use of the provided "Tipping Kit" may reduce but not necessarily eliminate the risk of furniture toppling over. Please use this product with caution.

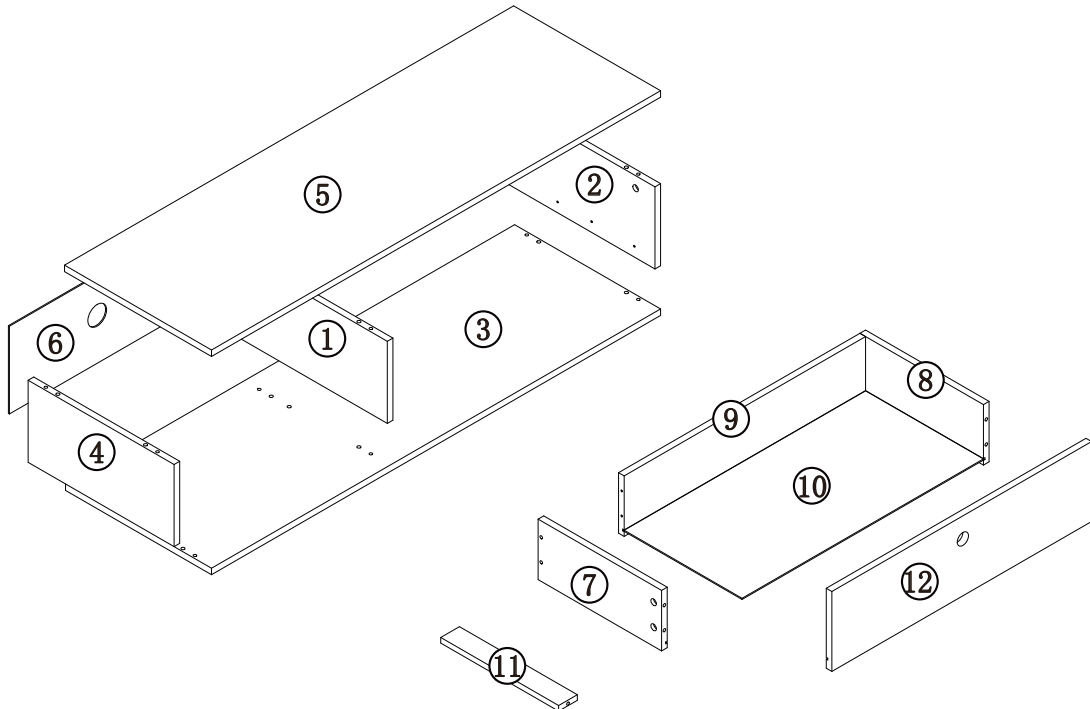
This is a permanent label. Do not attempt to remove!

PARTS LIST

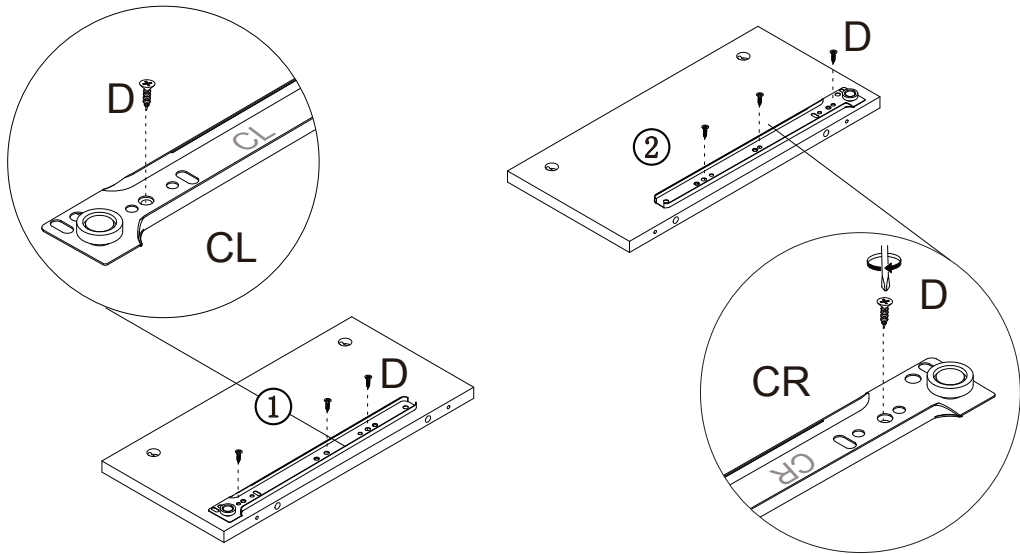
A  M7X39mm 11pcs	B  M14.8X12mm 11pcs	C  M8X30mm 12pcs	D  M3.5X14mm 12pcs
E  M5X40mm 11pcs	F  4pcs	G  M4X14mm 20pcs	H  4pcs
I  M3X16mm 14pcs	J  1pcs	K  1pcs	L  M4x30mm M3.5x14mm 1pcs
CL  1pcs	CR  1pcs	DL  1pcs	DR  1pcs

1	MIDDLE PANEL
2	SIDE PANEL
3	BOTTOM PANEL
4	SIDE PANEL
5	TOP PANEL
6	BACK PANEL

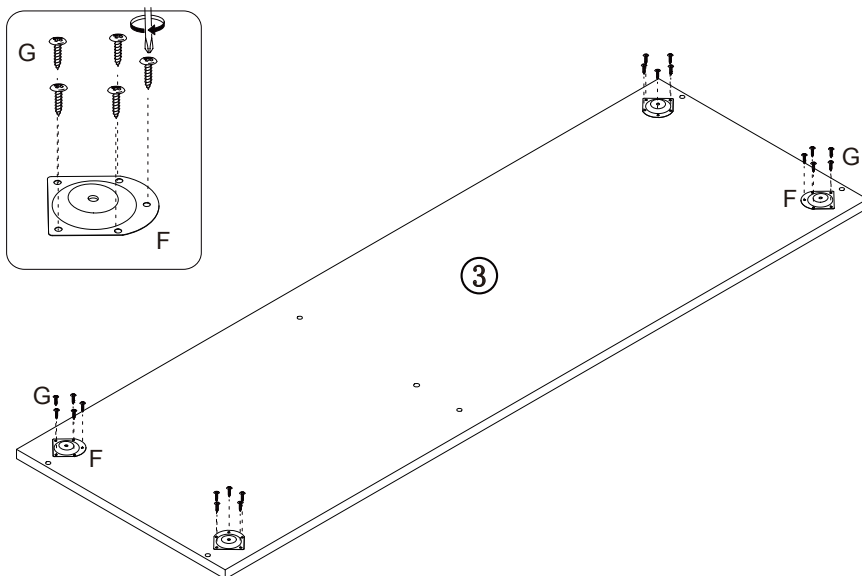
7	DRAWER SIDE PANEL
8	DRAWER SIDE PANEL
9	DRAWER BACK PANEL
10	DRAWER BASE
11	SUPPORT PANEL
12	DRAWER FRONT



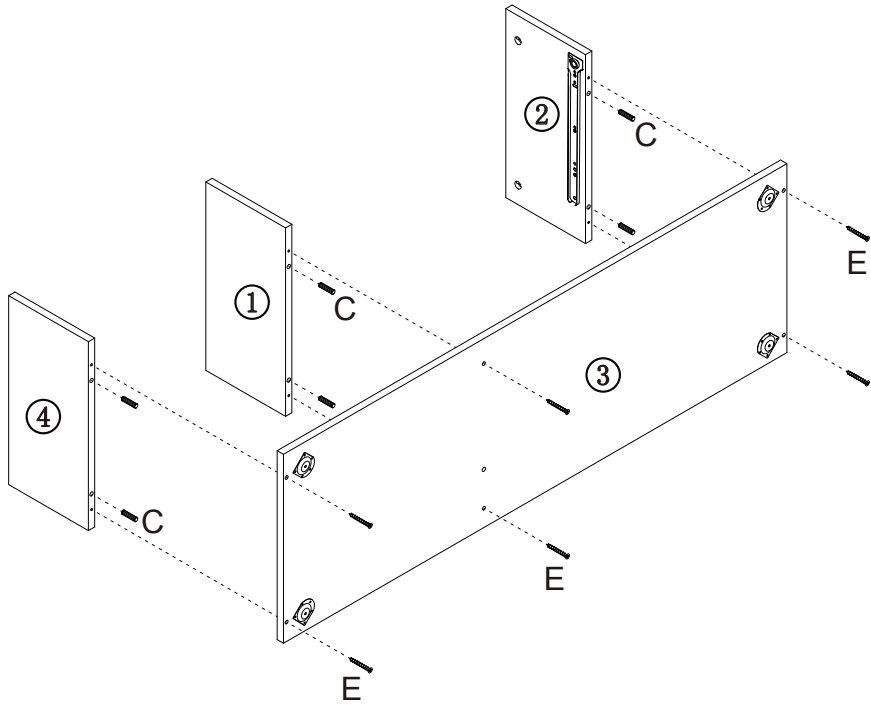
STEP 1: Fix runners (CL)(CR) to panels (1)(2) with screws (D).



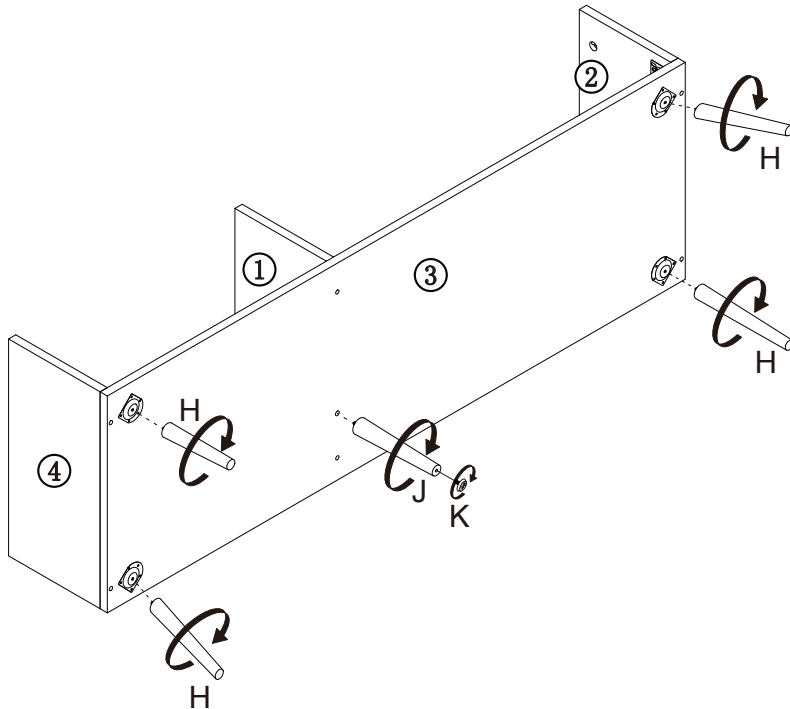
STEP 2: Fix metal plate(F) to panel(3) with screws (G).



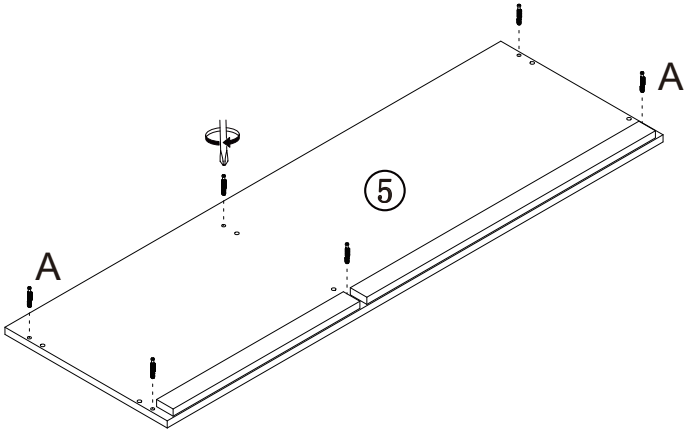
STEP 3: Attach panels (1)(2)(4) to panel(3) with dowel(C) and screws (E).



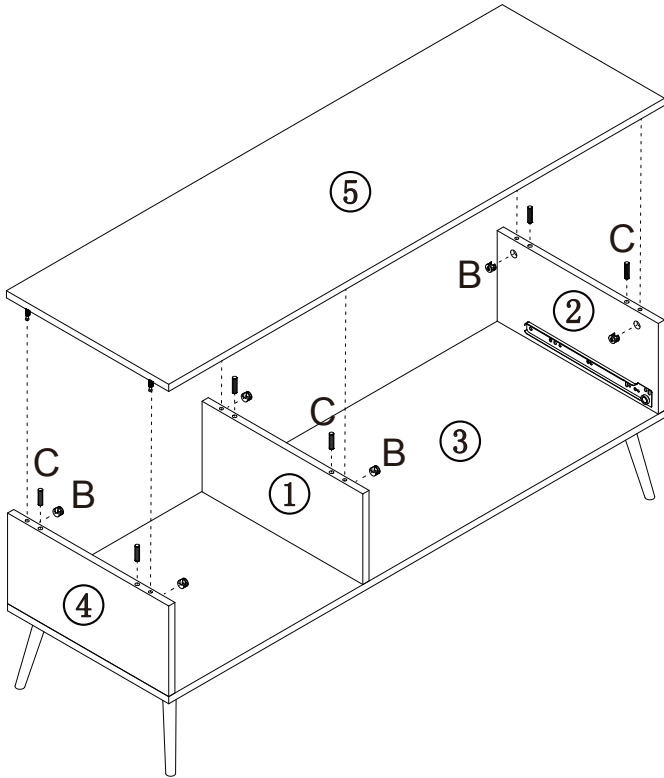
STEP 4: Fix legs (H)(J) to panel(3),and fix screws(K) to leg(J).



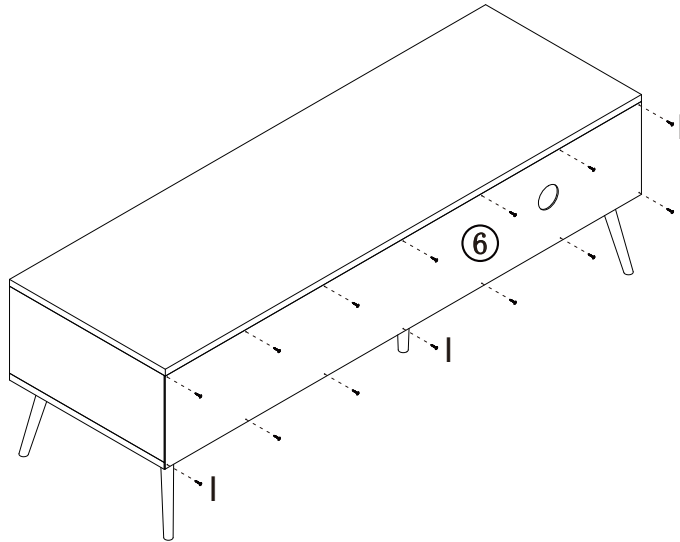
STEP 5: Fix cam pin (A) to panels (5).



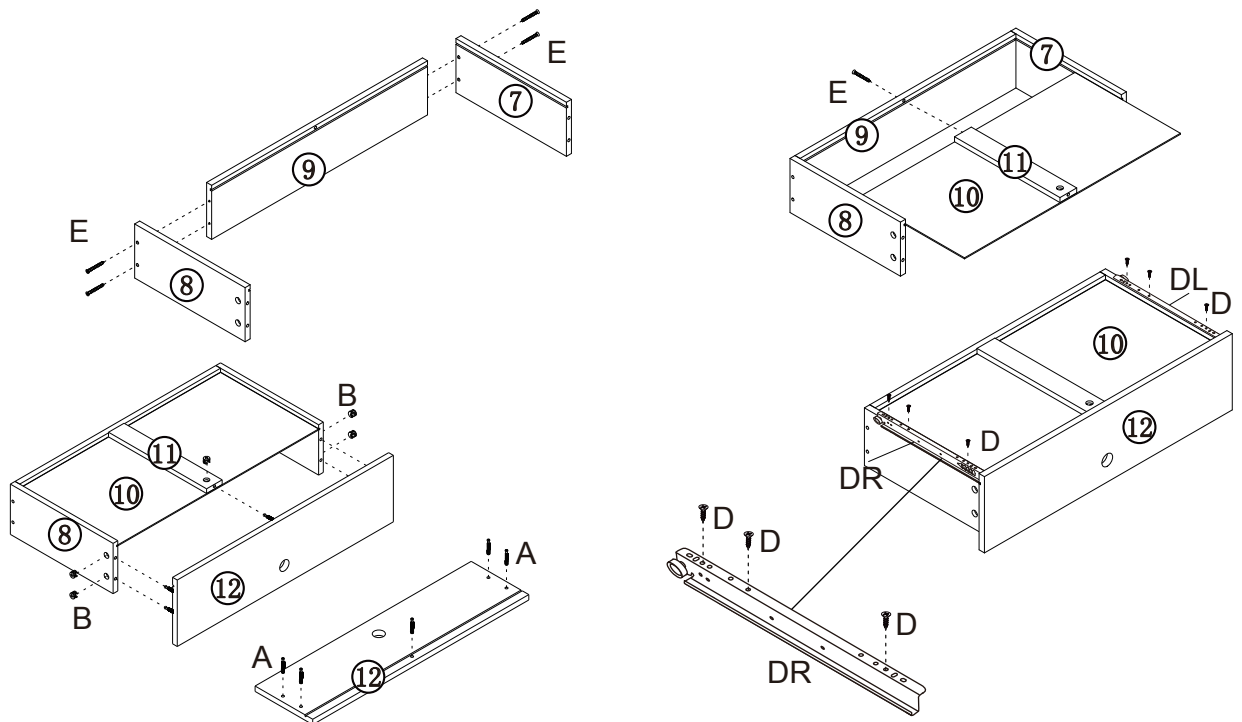
STEP 6: Attach panel (5) to the body with dowel (C) and cam lock (B).



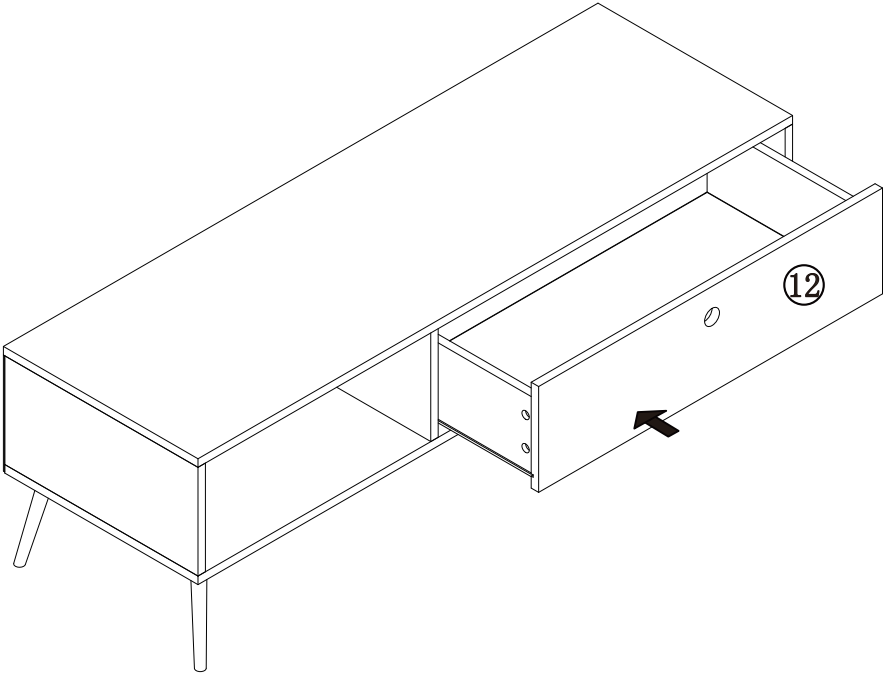
STEP 7: Fix screws (I) to panel (6) .



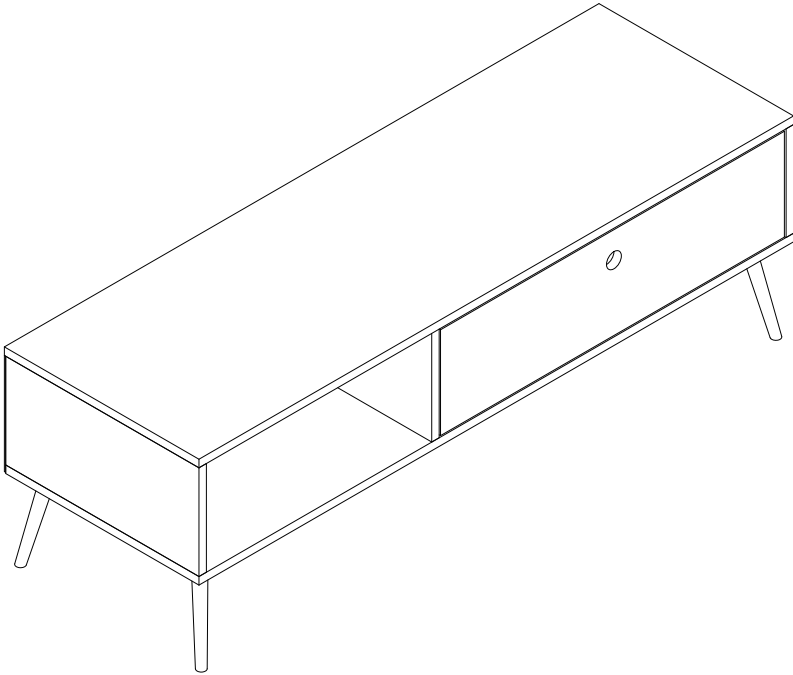
STEP 8: Attach panels (7)(8) to panel(9) with screw(E).
Insert drawer base(10) and support panel(11) as shown.
Fix cam pin (A)to panel (12).
Attach drawer front to the body with cam lock parts.
Fix runners(DL)(DR) to drawer bottom with screws (D).



STEP 9: Assemble drawer to the body.

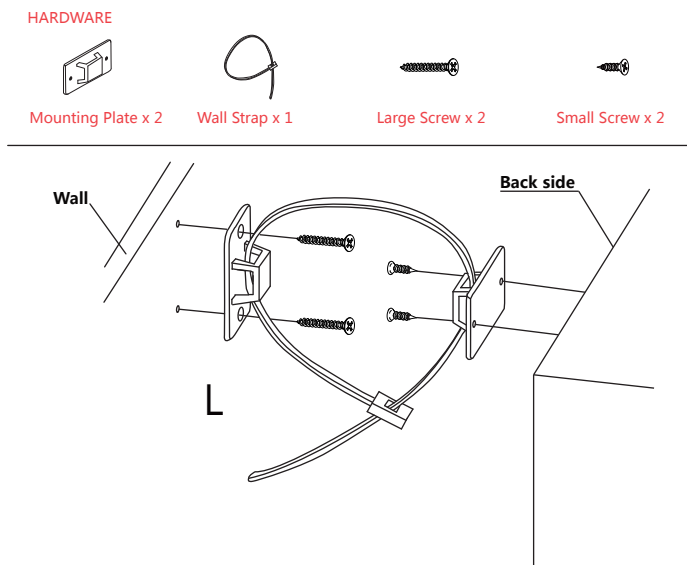


ASSEMBLY COMPLETE



SAFETY BRACKETS INSTRUCTIONS

1. Attach one Mounting Plate to the wall with the Large Screws. Make sure to attach the Mounting Plate into a stud. If mounting into brick or masonry you will need to acquire wall anchors.
2. Attach the second Mounting Plate to the furniture frame with the Short Screws.
3. Move the furniture to its final position. Thread a Wall Strap through the both Mounting Plates and tighten until snug. Do not over tighten.
4. Make sure that the Mounting Plates are firmly attached to the wall and furniture and that the Wall Strap is snug.



To protect your furniture, we suggest the following:

- Avoid placing your furniture in direct sunlight.
- Do not place furniture directly under windows.
- Do not place sharp materials (knife, fork, etc.) directly onto your furniture as sharp material may scrape and damage the finish.
- Do not place material with high temperature directly onto the surface of your furniture.
- Clean up spills quickly. Water left over a prolonged period of time may cause damage. Alcohol, perfume, nail polishes, aftershave and some medication may cause severe finish damage if not cleaned immediately.
- Use a clean, soft, dry, lint free absorbent cloth to clean your furniture. Do not use any detergent as they may contain ingredients that may react and damage the finish.

NOTE: If the above care advise is not adhered to your product warranty may become void